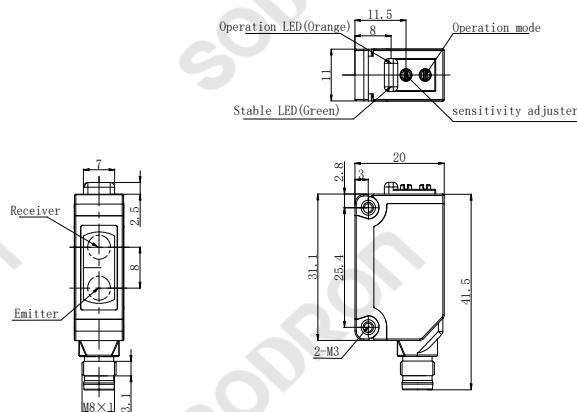
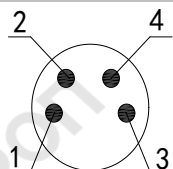




**Dimension**



Model	Technical parameters	
	Detection method	Retro-reflective
PF31V-R04BNSR-E1 PF31V-R04BPSR-E1	Model	NPN PNP
		PF31V-R04BNSR-E1 PF31V-R04BPSR-E1
	Sensing distance	4m (with a 40 x 60 mm reflector)
<b>Product features</b>	Standard target	> Φ75mm (Opaque object)
<ul style="list-style-type: none"> <li>• Retro-reflective</li> <li>• ASIC, Fast response, High frequency</li> <li>• IEC IP67</li> </ul>	Output mode	Light ON/Dark ON (Adjustable)
	Light source	620nm Red LED
	Supply power	DC 12 ~ 24V ±10% , impulse (P-P) < 10%
<b>Connection</b>	Directivity angle	2~10°
<b>NPN</b>	Residual voltage	< 2V (Load Current: ≤100mA)
	Current consumption	< 12mA
	Load current	≤100mA
	Circuit protection	Power reverse indirection connection protection
<b>PNP</b>	Response time	< 1ms
	Indicator light	Output LED: Orange LED, Power/stable: Green LED
	Connection	connector type (M8 4pin male)
	Ambient temperature	Work: -25 ~ +55°C; Store: -30 ~ +70°C (No dew condensation or icing allowed)
	Ambient humidity	Work: 35 ~ 85%RH, Store: 35 ~ 95%RH, (No dew condensation)
	Ambient illumination	Sunlight :10,000Lx, lamplight:3,000Lx
	Withstand voltage	1000 VAC, 50/60 Hz, 1 min.
	Insulation resistance	> 20MΩ (DC500V megger) between current-carrying parts and case
	Anti-vibration	10~55Hz double-amplitude 1.5mmX,Y,Z 2h
	Impact resistance	500 m/s <sup>2</sup> (X, Y, Z directions, 3 times)
	Protection degree	IEC IP67
<b>Terminal Number and Function Table</b>	Material	Housing: PBT Lens: PMMA



Terminal No.	Technical parameters
1	+V
2	No connection
3	0V
4	output